

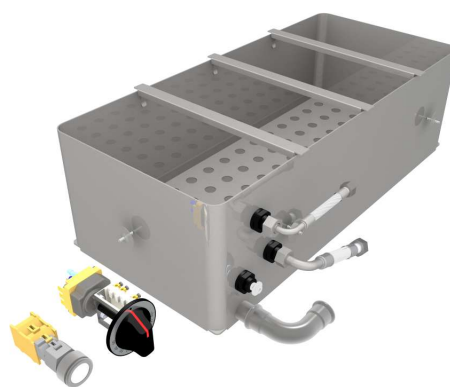
Bain-marie

MS-BM-GN 4x1/3 E

Fully automatic bain-marie for carefree work, for hanging 200 mm deep GN trays

Technical data:

Dimensions: 685 x 305 x 210 mm (LxWxD)
Output: 3.2 kW
Connector: 3x400 VAC
Heating zone: 1 heating zone
30° - 100°C
Control: 1 control unit
Anschluß: 3x400 VAC
Adjustment: Freely adjustable power control



[Product weblink](#)

MENU SYSTEM AG
Oberstrasse 222
CH-9014 St. Gallen
Switzerland

T: +41 71 272 51 00
info@menusystem.ch
www.menusystem.ch

MENU SYSTEM Germany GmbH
Turmstrasse 4
D-78467 Konstanz
Germany

T: +49 1805 880558-10
info@menusystem.de
www.menusystem.de

MENU SYSTEM Austria GmbH
Steinebach 18
AT-6850 Dornbirn
Austria

T: +43 55 72 39 48 00
info@menusystem.at
www.menusystem.at